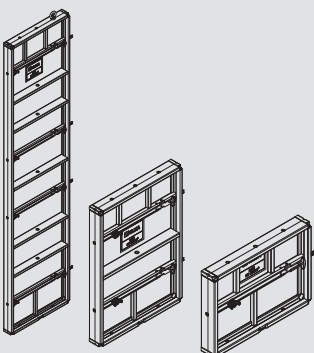
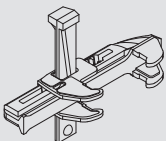
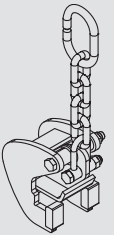
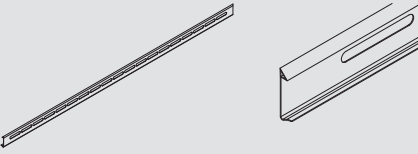
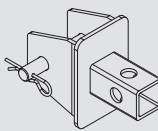
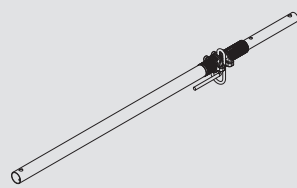


LGR Column Formwork

Light formwork of great performance for column forming

Basic components

	WEIGHT (kg)	ITEM No.
LGR Panel		
3 x 0.7	63.2	1856050
3 x 0.5	52.3	1856065
1 x 0.7	25.6	1856060
1 x 0.5	21	1856070
0.5 x 0.7	16.9	1856075
0.5 x 0.5	12.8	1856080
		
NEVI Clamp	3.96	1920851
		
NEVI Lifting hook	8	1920835
		
Chamfer strip LGR 3 m	0.45	1856061
		
Push-pull prop head	1.5	1856140
		

	WEIGHT (kg)	ITEM No.
Push-pull prop 1.55 - 2.5	10.3	1856130
		
Push-pull prop 2.5 - 3.85	19.7	1856120
