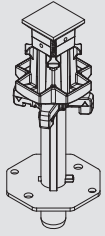
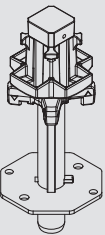
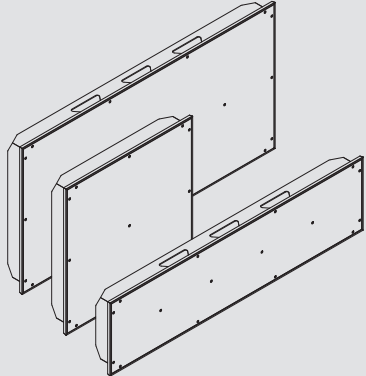
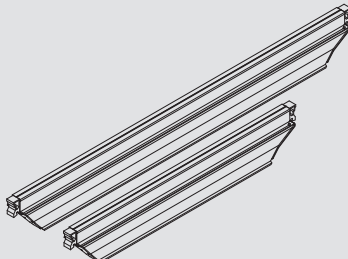
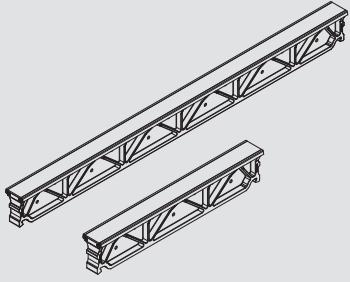
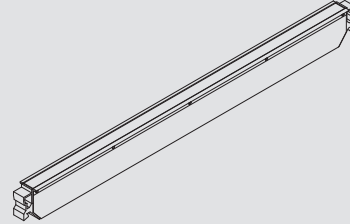


CC-4 Horizontal Formwork

A light, safe, high performance formwork that provides excellent concrete finishes

Basic components

	WEIGHT (kg)	ITEM No.
Drophead CC	4.9	1870060
		
Drophead CCT	4.6	1870155
		
Panels		
CC 1.5 x 0.75	15.4	1870090
CC 0.75 x 0.75	8.3	1870096
CC 1.5 x 0.375	9.1	1870165
		
Beams		
CC 2.32	16	1870029
CC 1.57	10.6	1870031
		

	WEIGHT (kg)	ITEM No.
Transversals		
CC TE 1.5	3.5	1870035
CC TE 0.75	1.7	1870040
		
CC TR 2.075	8.7	1870225
CC TR 1.5	6.8	1870045
CC TR 0.75	3.4	1870050
		
Beams		
CC W 2.075	12.5	1870230
CC W 1.5	9.5	1870105
CC W 0.75	4.6	1870150
